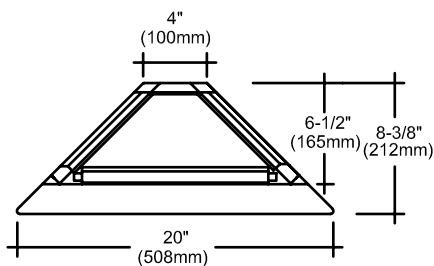
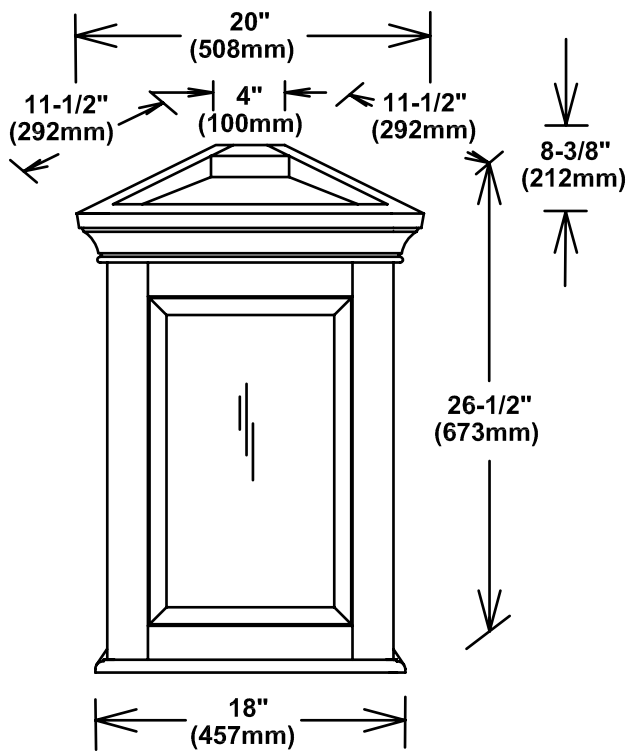


# 108-CMC18 18" Corner Medicine Cabinet



## SPECIFICATION SHEET

### Features

- Mirror: 1/2" Beveled edge
- Materials: Poplar solids with Cherry veneers
- Hinges: Fully concealed, soft closing
- Doors: 1
- Glides: 0
- Drawers: 0
- Drawer Boxes: 0
- Shelves: 2 (Adjustable)
- Mounting: Cleats
- Back panel: Fully covered
- Side Panels: 5/8" FB with Basswood veneers

### Colors/ Finish

108- Rich Brown

